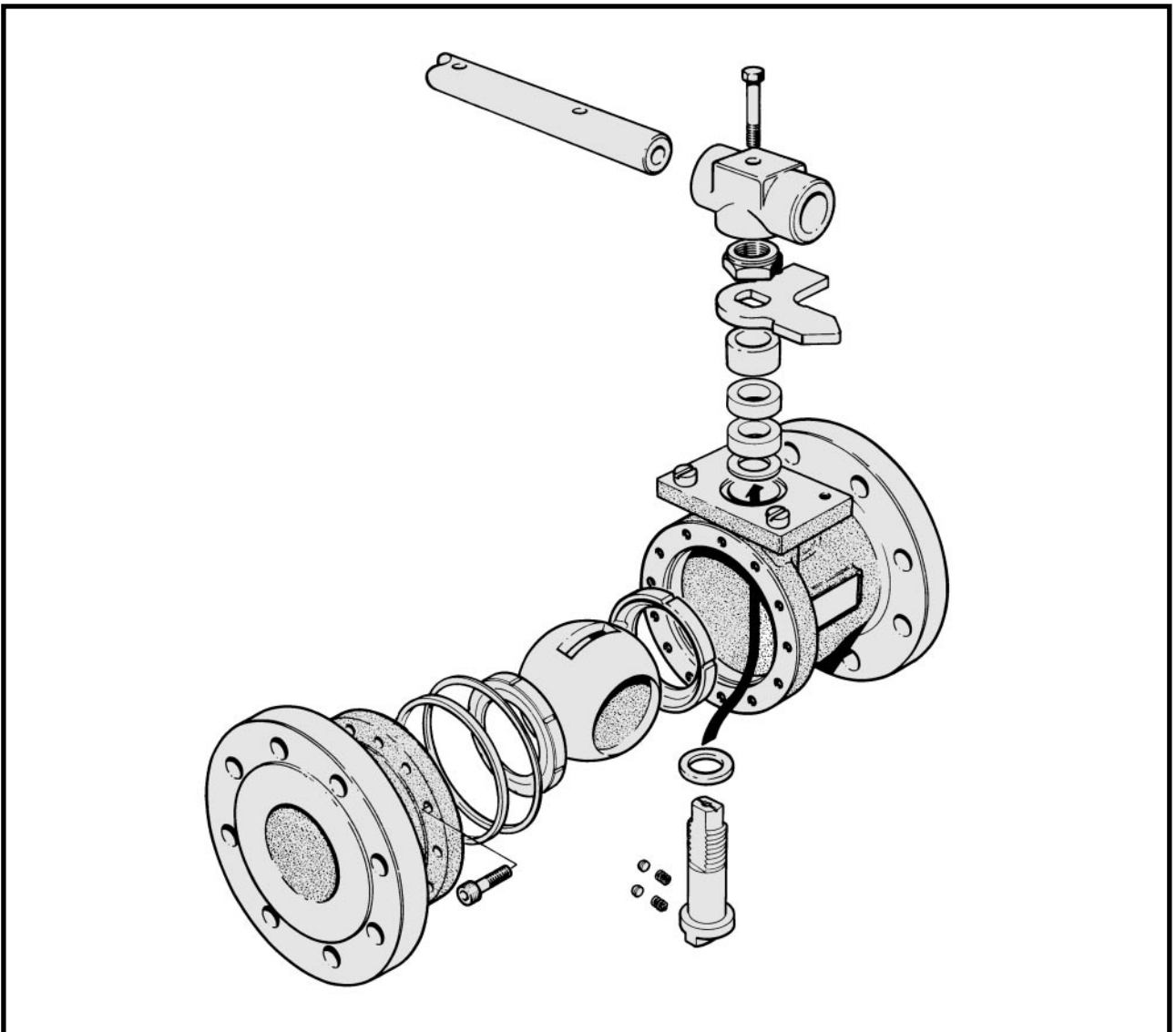




Installation, Operating & Maintenance Instructions

Reduced Bore 55 / 56 Series



FM 00707

1 STORAGE AND PRESERVATION

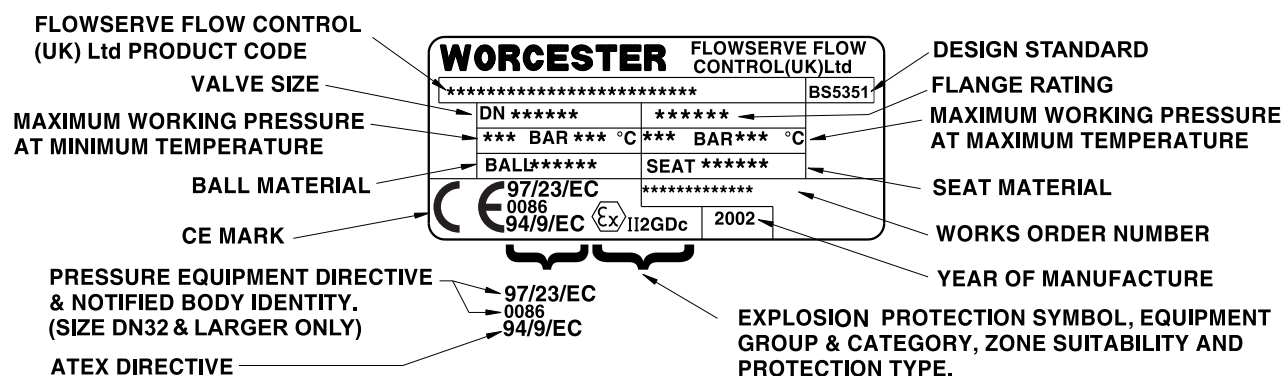
All valves are despatched in the open position and it is recommended that they are left in this position during storage. All protective packaging should remain in position until the valve is to be installed.

Valves should be stored in a clean, dry environment.

Carbon steel valves are manganese phosphated and coated with a de-watering oil. This coating is non-toxic and is quite safe on edible or potable products.

2 VALVE MARKINGS

Each valve has the following identification information plate attached to the side of the body:



2.1 Pressure Equipment Directive: If the identity plate carries the Pressure Equipment Directive number '97/23/EC' and the Notified Body identity number '0086' beside the 'CE' mark, the product complies with the Pressure Equipment Directive 97/23/EC and the Pressure Equipment Regulations 1999 (SI 1999/2001). Without these numbers, the product is classified as 'SEP' (Sound Engineering Practice) and may only be used within the limitations defined in tables 6, 7, 8 & 9 of Schedule 3 of the Pressure Equipment Regulations.

2.2 ATEX Directive: If the identity plate carries the ATEX Directive number '94/9/EC' followed by the Explosion Protection Symbol and codes identifying the equipment group and category, the zone suitability and protection type beside the CE mark, the product complies with the ATEX Directive and The Equipment and Protective Systems for Use in Potentially Explosive Atmospheres Regulations 1996.

Definition of identity plate marking above:

'II' = Equipment Group; '2' = Equipment Category; 'G' = Gas Zone suitability (Zones 1 & 2); 'D' = Dust Zone suitability (Zones 21 & 22); 'c' = type of protection i.e. constructional safety (prEN 13463-5).

Surface Temperature: As per EN 13463-1:2001(E) paragraph 14.2.g, the temperature class or maximum surface temperature cannot be marked on the product as it is dependant on the operating conditions. However the maximum allowable operating temperature for the product is marked on the identification plate.

2.3 Should the valve soft trim materials be changed during the course of its operational life it is necessary for this change to be reflected on the identification plate i.e. material change may impact pressure and temperature limitations.

Refer to Flowserve Flow Control (UK) Ltd. Technical Sales for details.

2.4 Material traceability markings are hard marked on the valve body and connector.

3 HEALTH AND SAFETY

When installing or maintaining valves:

- a) Conduct a risk assessment and eliminate or reduce hazards to an acceptable level.
- b) Work in accordance with Safe Systems of Work.
- c) Observe all site Health and Safety Rules in particular Permit to Work and Hot Work procedures.
- d) Wear all necessary Personal Protective Equipment.
- e) Never remove or maintain a valve or joint unless the line has been fully de-pressurised, drained and where necessary, purged of toxic / explosive / flammable media. Always operate the valve to the open position to ensure that no trapped pressure exists within the cavity.
- f) Never handle valves that have been used on harmful substances unless they have been completely decontaminated and certified safe to handle.
- g) Never use a valve on a duty which exceeds its prescribed operating parameters. Refer to Flowserve Flow Control (UK) Ltd Technical Sales for performance curves or further information.
- h) Never modify or alter valves unless the manufacturer has been consulted or recommends such changes.
- i) The valves wrenches are only designed for use in operating the valves and must not be used to carry them by. Failure to observe this warning may result in operator injury.
- j) Due to the large physical size and weight of some sizes of this product, always use correct lifting methods and equipment when installing, removing and maintaining the product, and that it is correctly supported in its final operating location.
- k) Due to the variety of duties on which this product can be employed, it is the end users responsibility to ensure the compatibility of the media with the materials of construction of the product for each specific application (i.e.corrosion and erosion which may affect the integrity of the pressure containing envelope).
- l) Before equipment is installed in areas which may be subject to seismic activity or extreme climatic conditions consult Flowserve Flow Control (UK) Ltd. Technical Sales.
- m) End Flanges: The end flange design of this product has been verified by either 1998/2001 ASME Boiler and Pressure Vessel Code Section VIII Division 1 calculation method, by Finite Element Analysis in accordance 1998/2001 ASME Boiler and Pressure Vessel Code Section VIII Division 2 - Alternative Rules, or by experimental testing as defined in pr EN 12516-3 Valves Design Strength - Part 3 Experimental Method.

Gaskets: The gaskets used in all methods are Spiral Wound to BS4865 for PN rated flanges, and ASME B16.20 for Class rated flanges. These have Gasket Factors and Design Stresses of 2.5 and 10000psi respectively for Carbon Steel gaskets, and 3.0 and 10000psi for Stainless Steel gaskets as defined in the 1998/2001 ASME Boiler and Pressure Vessel Code Section VIII Division 1.

3 HEALTH AND SAFETY (cont.)

If gaskets are used with higher Gasket Factors and Design Stresses than those stated above, please consult Flowserve Flow Control (UK) Ltd Technical Sales.

Bolting: End flanges have been verified by the methods stated above, using bolt design stress values based on those for ASTM A193 B8 Cl.2 (i.e. 25000/20000psi - dependant on the bolt size) for Stainless Steel valves, and ASTM A320 L7 (25000psi) for Carbon Steel valves as defined in 1998/2001 ASME Boiler and Pressure Vessel Code Section II - Materials - Part D - Properties.

- n) Lethal Service. In accordance with the design verification code (1998/2001 ASME Boiler and Pressure Vessel Code Section VIII Division 1) a casting quality factor of 1.0 is allowable for all products except those intended for 'lethal service'. All products for such service must have had non-destructive examination carried out in accordance with Appendix 7 of the code. Refer to Flowserve Flow Control (UK) Ltd Technical Sales.
- o) If the processes or environments that the products are used in are likely to cause temperatures (high or low) that may cause injury to personnel if touched, then adequate insulation/protection must be fitted.
- p) If the equipment is to be used on unstable gas duty, ensure that the operational parameters as indicated on the product identification plate cannot be exceeded.
- q) This equipment should be protected by other devices to prevent over-pressurisation. (i.e. caused by external fire etc).
- r) This equipment must be installed in a system that is designed to prevent excessive forces acting on the flanges, connections, etc.

4 PREPARATION FOR INSTALLATION

When dispatched, valves contain a mineral oil which aids the bedding in of the valve. This may be removed if found unsuitable. Special variants may contain other lubricants or be dry built.

Some valves contain a Silica gel bag inside the ball cavity to absorb humidity during storage. These must be removed before installation, as must all other protective packaging.

For valves up to and including 65mm it is important to ensure that the gland nut locking clip is retained at all times. If, during installation, it is noted that the locking clip is not in place, the gland nut must be adjusted to the correct torque and a new locking clip fitted.

Significant problems can arise with any valve installed in an unclean pipeline. Ensure that the pipeline has been flushed free of dirt, weld spatter, etc. before installation. The working area should be clean and clear of any debris which could contaminate the valve.

5 INSTALLATION INSTRUCTIONS

- a) Standard valves may be installed in either direction. Valves with a upstream relief hole (Q190) are unidirectional and must be fitted with the flow arrow pointing downstream.
- b) Installation of flanged valves should follow prevailing site standards. Where such standards do not exist the following should be used as a guideline.
 - i) Flanged joints require compressive loading onto the gasket material as the normal line pressure forces tend to separate the joint. There should be no misalignment between the valve and mating faces.
 - ii) Pipework should have the correct gap to allow for the valve face to face length plus assembled gasket material thickness.
 - iii) Ensure the pipeline and flange faces are clean and free of any debris which may be detrimental to flange sealing.
 - iv) Bolting should be of the correct size, length and material for the duty.
 - v) Locate the valve between the pipe ends and slide in the gaskets. It may be necessary to lever the mating flanges gently apart to allow for easy fitting of the gasket. Care should be taken to prevent damage to the sealing surfaces. Correct lifting equipment must be used when handling valves for operator safety.
 - vi) Assemble all bolts and loosely tighten. Diametrically and evenly tighten the bolts to the correct torque required for the specific gasket material.
- c) It is recommended that the valves are left in the open position during fitting.

6 OPERATION

6.1 USE

Worcester ball valves provide bubble tight shut off when used in accordance with the published pressure/temperature chart.

It is not good practice to leave a standard ball valve in the partially (throttled) position as this may cause damage and seat life may be reduced. Flow control ball valves are available which contain seats designed for this purpose.

Any media which may solidify, crystallise or polymerise should not be allowed to stand in the ball cavity since this is detrimental to valve performance and life.

6.2 MANUAL OPERATION

The basic type of wrench have a cast wrench head and tubular handle secured to the stem by a wrench bolt.

Worcester valves have $\frac{1}{4}$ turn operation, closing in a clockwise direction. It is possible to see when the valve is open or closed by the position of the wrench: When the wrench is in line with the pipeline, the valve is open; when the wrench is across the pipeline, the valve is closed. Similarly, if the wrench is removed the flats of the stem will also indicate valve position.

When operating the valve the use of excessive side loading on the wrench should be avoided.

6.3 REMOTE OPERATION

Where automation of valves is required, Worcester can supply pneumatic and electric actuators to cover a wide range of operating torques.

Operation will be in accordance with installation, operation and maintenance instructions for the relevant actuator.

7 MAINTENANCE

7.1 GENERAL

With self wipe ball / seats and patented pressure equalising slots, Worcester valves have long, trouble free lives and maintenance is seldom needed. The following checks will help extend life further and reduce plant problems:

Routine checks / maintenance:

- i) Every 25000 cycles or 3 months: Check for any signs of leakage (see 7.2, 7.3 & 7.4 below) and that all fasteners (including the gland nut) and joints are tightened to their correct torque value (see final section of this I.O.M.).
- ii) Infrequent operation: The valve should not be left standing without operation for more than 1 month. After this period the valve should be operated through three full cycles.

7.2 IN-LINE LEAKAGE

Check that the valve is fully closed. If it is, then any leakage will be due to damage to the body, connector, seat or ball sealing surfaces and it will be necessary to dismantle the valve to repair it. (See section 9).

7.3 STEM LEAKAGE

Remove the wrench assembly as detailed in section 9 or the actuator as detailed in the relevant actuator I.O.M., followed by the gland nut locking clip (65mm only), and retighten to the recommended torque. If the leakage persists then it will be necessary to dismantle the valve to establish the cause and/or replace gland packings and thrust seals.

7.4 BODY/CONNECTOR JOINT LEAKAGE

Check the interface bolting is tightened to the recommended torque values and tighten if necessary. If leakage still occurs it will be necessary to remove the valve from line and split the valve at the interface joint to replace the body seal and to establish whether the seal faces of the body and connector have been damaged. (See section 9).

8 REPAIR KITS

Repair kits are available for all Worcester valves. Details of their contents are found in the Instruction sheet supplied with the kit.

If other parts are required, it is usually recommended that the complete valve is replaced, although piece parts are available. Parts from different sized / rated valves must not be interchanged.

Only Worcester authorised spare parts should be used. This includes basic components such as fastenings. If the valve is altered in any way, without the consent of Flowserve Flow Control (UK) Ltd. then Flowserve Flow Control (UK) Ltd. will accept no responsibility.

9 REFURBISHMENT INSTRUCTIONS

Prior to commencing any work on the valve or removing it from line, refer to the 'Health & Safety' Instructions.

NEVER remove or maintain a valve or joint unless the line has been fully de-pressurised, drained and where necessary, purged of toxic / explosive / flammable media.

9.1 DISMANTLING

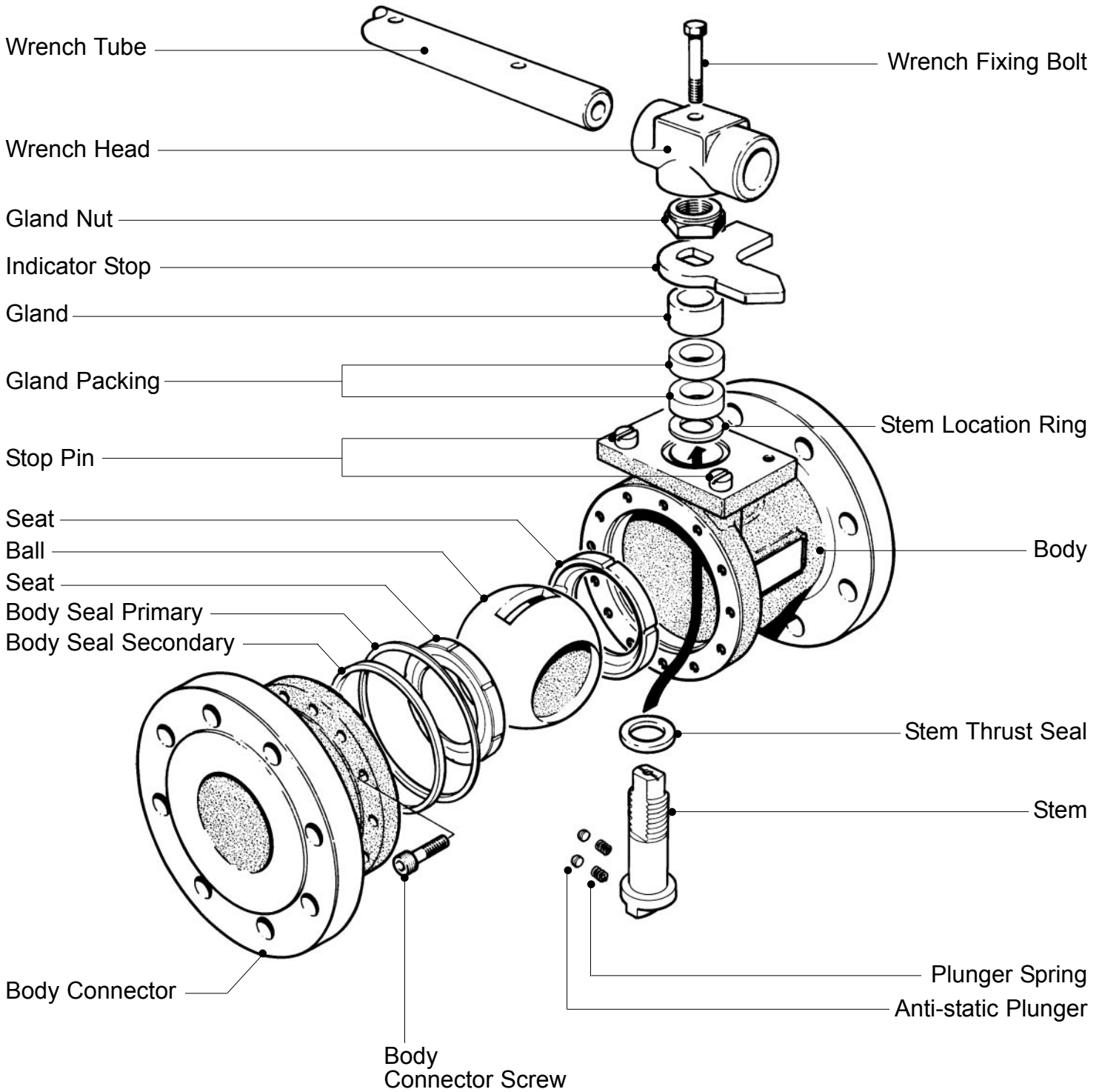
- a) Ensuring that it is correctly supported, remove the valve from the pipeline by extracting the flange bolting from each end. Large pipelines have a tendency to spring the flanges together making removal difficult. If necessary, remove or loosen elbows, couplings or pipe supports to get extra manoeuvrability.
- b) With the valve securely clamped and in the open position, undo the fastenings retaining the two body parts.
- c) Tap one of the flanges sharply with a mallet to break the joint and separate.
- d) With the valve in the closed position remove the ball. If there is a large build up of solid scale or media in the cavity it may be necessary to tap it out using a soft drift.
- e) Using a suitable hook to get under the seat face, remove the seats from the body and the body connector. Care must be taken to avoid damaging the seal faces.
- f) Remove the body seals from the interface housing.
- g) To dismantle the stem assembly remove:
T-Bar Wrench
Locking Clip (65mm only)
Gland Nut
Stop Plate
Gland
- h) Tap the stem down into the valve cavity and withdraw. The valve gland packing, location washer and thrust seal can now be removed.
- i) All components not replaced by items in the repair kit should be thoroughly cleaned and stored in a clean secure area. All sealing faces on the body, insert and ball must be checked for corrosion, erosion and scratches. If damage is found or there is any doubt, replace the component.
- j) Cleaning the valve parts should be carried out using a suitable degreasing agent. Hard deposits can be removed using wire wool. Care should be taken on all seal faces to avoid damaging them.

9.2 REBUILDING

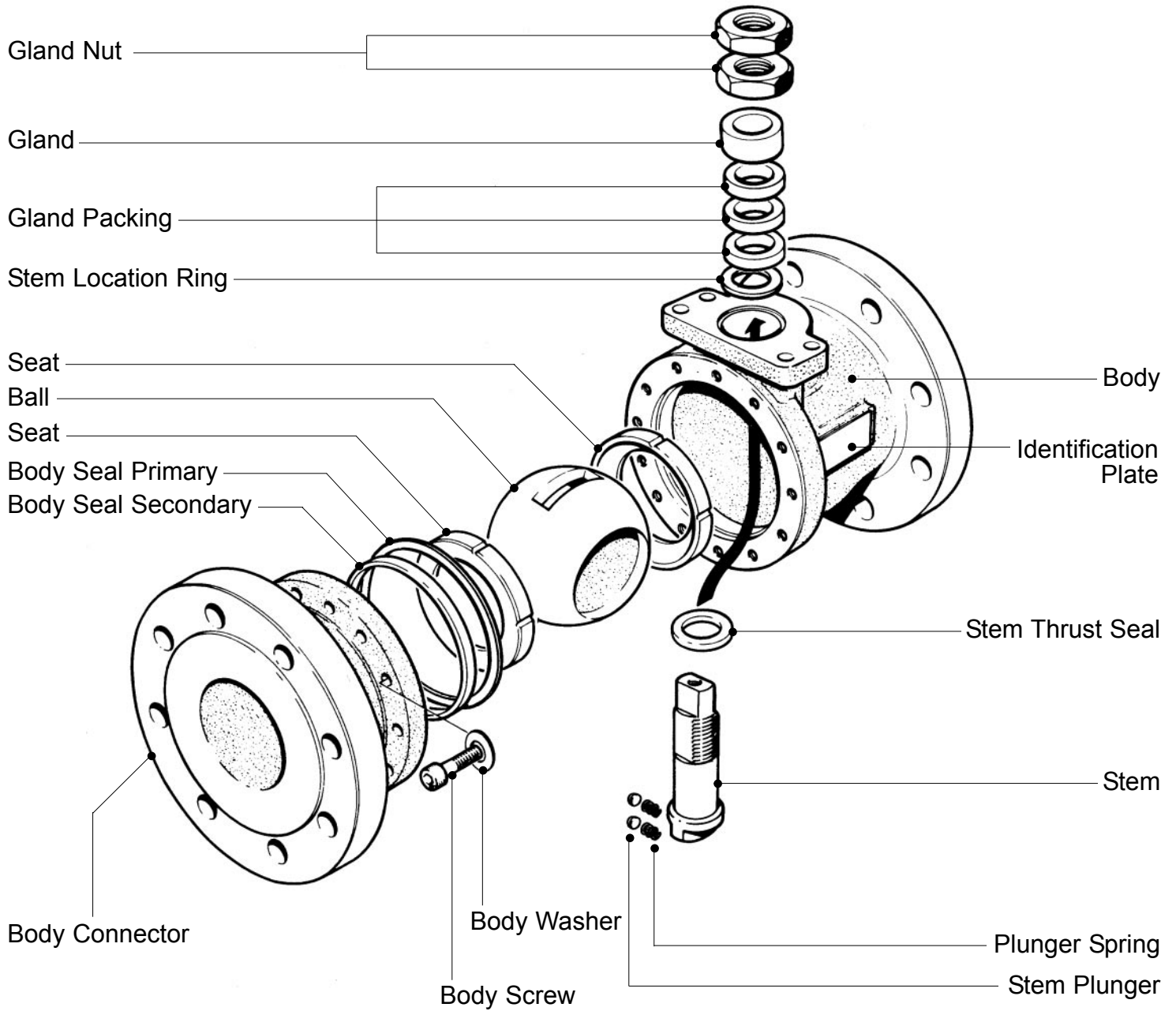
- a) Before rebuilding ensure the repair kit and/or components used are suitable for the valve requirement. When rebuilding, cleanliness is essential for long life. The seats may be lightly lubricated with a light oil to aid bedding in. Ensure that the lubricant is compatible with the pipeline media.
- b) Fit a new thrust seal onto the stem shoulder and insert the stem through the valve body from inside the valve cavity.
- c) Place the location ring into the bottom of the gland housing, followed by the gland packing, gland and stop plate followed by the gland nut. With self locking gland nuts, Rocol 'Copperslip' or a similar anti-scuffing agent should be applied to the stem thread.
- d) Tighten the gland nut until the specified stem assembly torque or gland nut tightening torque has been achieved. Over tightening of the gland nut will only reduce the life of the stem assembly and can seriously increase torque. For 65mm valves a locking clip should be fitted following the procedure 9.1.2 Section (e).
- e) Ensure the valve is in the closed position.
- f) Secure the valve in the vertical position, and place the seat in the body housing.
- g) Locate the body seals into the interface housing.
- h) Slide the ball into the body, locating the stem drive tang, and operate to the valve open position.
- i) Locate the connector seat in its housing.
- j) Fit the body connector to the body, being careful not to damage the body seals. Ensure the connector flange is correctly orientated to the body flange. Lower the connector down squarely and tap it fully home with a soft mallet.
- k) Replace interface fastenings and tighten evenly to the recommended torque. Rocol 'Copperslip' or an alternative should be applied to the threads.
- l) If practical, leak tightness and operating torque should be checked prior to refitting in line.

SERIES 55

65 - 250mm (2½" - 10") VALVES



SERIES 56 250mm (10") VALVES



VALVE ASSEMBLY TORQUES

DEFINITIONS

Stem Assembly Torques -The torque required to operate the assembled stem before the ball and seats are fitted to the valve.

Gland Nut Torques -The tightening torques to be applied to the gland nuts to achieve the above figures. **Note:** these figures can only be used with valves fitted with locking clips and **must not** be used for tightening self locking gland nuts.

NOMINAL SIZE	INTERFACE FASTENING TORQUES (Nm)	GLAND NUT TORQUES (Nm)		STEM ASSEMBLY TORQUES (Nm)
		GRAPHITE BUILD	PTFE BUILD	
65mm (2½")	85 - 90	21 - 26	19 - 24	8 - 11
80mm (3")	55 - 65			18 - 22
100mm (4")	55 - 65			18 - 22
150mm (6")	85 - 90			23 - 28
200mm (8")	210 - 220			23 - 28
250mm (10")	300 - 310			35 - 40



Worcester Controls

Burrell Road, Haywards Heath, West Sussex RH16 1TL, England.

Telephone: +44 (0)1444 314400 Telefax: +44(0)1444 314401

Website: www.worcestercontrols.co.uk

TM indicates a trade mark of Worcester Controls

Information given in this leaflet is made in good faith and based upon specific testing but does not, however constitute a guarantee.

A Flowserve Company